



December 2015

ARCOver

A Community Service Organization Dedicated to Amateur Radio Since 1970

In this issue:

- ◆ President's Message
- ◆ Meeting Info
- ◆ Quiz Column
- ◆ It's A Straight Key Night
- ◆ National Parks on the Air
- ◆ RF Filters: Pt. 10
- ◆ Amateur Radio Parity Act Passes
- ◆ Extra License Class
- ◆ World Radiocommunications Conference
- ◆ Notes From Joe



E-mail: W6SBA@arrl.net



Website: <http://www.w6sba.org>

I can't believe that another year has gone by already. Time really does fly! I would like to thank everyone who took part in our many activities this year. The year was certainly a success. We were all kept busy between Field Day, the convention, and JOTA, not to mention our picnic and other activities. So thanks again. Well done!!! I would like to give particular praise to Jerry, KJ6JJ, who really worked hard on the W1AW station for Hamcon and for his service as a Council member this year. Thanks Jerry, your work was appreciated.

While it is still 2015, your club Council is already thinking about next year's activities. While no final decisions have yet been made, we are moving to put an emphasis next year on Morse code and on project building. We are working on the idea of some sort of code class and code net and on the building of a project supporting this such as a CW (really 100% modulated AM) QRP transmitter. Whether or not we proceed along these lines will be dependent on the level of support you give us.

The Holiday party will be on Thursday, December 17th, in the Health Conference Center. That is the lower building opposite the building in which we usually meet. We will begin at 7:00, not at 7:30. Please bring food per: A - G salad, H - P dessert, and Q - Z side dish and don't forget poinsettias for the hospital.

Joe, WB6MYD is not going to be able to carry on next year as the head of the swap meet effort nor is he going to be able to continue as the person in charge of the VE sessions. So, we are in particular need of someone who has space to store the swap meet stuff. This is not a huge amount so if you have some spare space in your garage, please notify one of your Council members. We also need a current VE to head up our bi-monthly VE sessions. So, if you already attend many of the sessions, please consider heading up the effort. Have a safe and happy holiday season. I'll see you at the party and at all of our events next year 73 and

Happy Holidays,

Alan



CLUB OFFICERS FOR 2015

President

Alan Parks - KG6ZPL
thermic72@sbcglobal.net - 310-558-8718

Secretary/Treasurer

Joe Lanphen - WB6MYD
jmlanphen@gmail.com or w6sba@arrl.net
310-328-0817

Events Council Member

Chuck Hohn - K6SCH
chohn@socal.rr.com - 310-324-9561

Vice-President

Bruce Jackson - KK6BJ
bjackson@ucla.edu - 310-502-0071

Activities Council Member

Jerry Cook - KJ6JJ
jcookggca@aol.com - 714-898-3983

Past President

Alex Marko - KD6LPA
kd6lpa@socal.rr.com - 310-530-6614



JOIN US

HOLIDAY POTLUCK

December 17th - 7:00pm

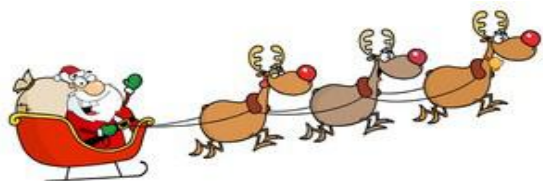
**Torrance Memorial Med Center
Health Conference Center, First Floor**

This is a pot luck event so we ask you to bring something for at least 5-8 people to enjoy your recipe or specialty. This is divided into 3 groups and is based on the first letter of your last name.

A-G: bring a salad
H-P: bring a dessert
Q-Z: bring a side dish

The club provides the turkey, ham and drinks, including cider.

Hope to see you!



Quiz!

COLUMN

BY ALAN, KG6ZPL

- 1) There are 25 houses on a street. Ten of them have fewer than six rooms, ten have more than seven rooms, and four have more than eight rooms. How many of them have six, seven, or eight rooms?
- 2) What is the largest number you can write using four sixes?
- 3) What gets wetter and wetter the more it dries?
- 4) How many of each species did Moses take on the Ark with him?

Answers to November's Quiz:

- 1) If 3 peacocks lay 5 eggs in 8 days, how many peacocks will lay 29 eggs in 76 days?
None, peacocks don't lay eggs, peahens do.
- 2) A murderer is condemned to death. He has to choose among three rooms. The first is full of raging fires, the second is full of assassins with loaded guns, and the third is full of lions that haven't eaten in 3 years. Which room is safest for him?
The third one. Lions that haven't eaten in three years are dead.
- 3) There are three men in a boat with four cigarettes but no matches. How do they manage to smoke? *They throw one cigarette overboard and made the boat a cigarette lighter.*
- 4) A ladder hangs over the side of a ship anchored in a port. The bottom rung touches the water. The distance between rungs is 20" and the length of the ladder is 18'. The tide is rising at the rate of 15" each hour. When will the water reach the seventh rung from the top? *It will never reach it. If the tide is raising the water, then it is raising the ship on the water too. So the water will still only reach the first rung.*

Please send answers, questions, and comments to Alan at thermic72@sbcglobal.net

It's A Straight Key Night

For more than 40 years, ARRL Straight Key Night has long been the favorite event of many amateurs. Always on New Year's Eve and Day, Straight Key Night gives hams a chance to return to the time when Amateur Radio was just a bit simpler -- a time when a straight key or an old bug, along with a basic transceiver, was all that was needed to communicate around the world. In fact, that's still all that is needed. Keep the CW paddle or computer keyboard on the shelf this night and send CW the way it's been sent since the beginning.

"Morse code has been around longer than radio itself," said ARRL Contest Branch Manager Sean Kutzko, KX9X. "If you have a rusty fist, break out that key and make some QSOs with old friends and new. If your fist still works as well as ever, you might earn a 'Best Fist' vote or two! Many amateurs also bring out their older rigs for this night. Why don't you?"

Straight Key Night is not a contest: no score is kept, no prizes are awarded, no fast exchanges of information are required. It's a chance to get on the air and make some leisurely QSOs. This event is about the enjoyment of radio at its most basic and provides an excellent opportunity for all amateurs to return to our roots, proving that simpler is sometimes better.

ARRL Straight Key Night is held on January 1, 2015 from 0000-2359 UTC (7 PM EST December 31, 2015 through 6:59 PM EST January 1, 2015). E-mail a list of stations worked -- along with votes for Most Interesting QSO and Best Fist -- by January 31, 2015. You can also submit your list by January 31 via postal mail to First let me start off by saying that this is not meant to be an opportunity to open up one of those ridiculous discussions about Code vs. No-Code! This is being posted because there are still quite a few people who really enjoy using Morse Code and SKN is an opportunity for everyone to put away their fancy paddles and keyers and dust off their old straight keys. SKN is just a lot of fun and after all; didn't we get into Ham Radio to have some fun?

I wanted to remind folks about the ARRL Straight Key Night or SKN as it is commonly referred to which begins on New Year's Eve.

Have any of you ever participated in SKN? Do you still have your old J-38 key from your early days in Ham Radio?

Many folks have gotten away from operating any CW. Many would classify themselves as being quite rusty

and would be afraid to get back on the CW bands. SKN is a perfect time to dust off that old key and just jump right in!

Most of the regular CW operators (myself included) usually rely on our built-in Keyes and Bencher paddles to make ourselves sound good. When you take away our paddles (or bugs!) and put a straight key in our hands then that beautiful Fist gets transformed into something that sounds more like we're sending CW while wearing mittens!

The point that I'm trying to make is that everyone sounds pretty much the same and it's really kinda tough to send very fast so that even the "rusty" folks fit right in! As the hours go by, the Fists start to improve!

Straight Key Night, and the day surrounding us is a great way to have fun and get back in touch with our roots as we begin a New Year.

My thanks to the ARRL website for the information and allowing me to freely lift many of their thoughts and comments.

Blessings and joy as we finish an old and enter a new year. Bruce, KK6BJ

National Parks on the Air (NPOTA) - Map Now Available

In cooperation with ARRL, CQmaps has introduced a 2016 National Parks on the Air (NPOTA) map. The full-color map includes all NPOTA units within the US, including Alaska, Hawaii, Puerto Rico, US Virgin Islands, Guam, Saipan, and American Samoa. All sites are clearly labeled and include the park name along with the ARRL park designator.



Each 24 × 36 inch map is offered in either a laminated heavyweight paper or DuPont Tyvek.

The NPOTA laminated map is well suited for using a dry-erase marker to check off your progress in chasing the parks. The map is personalized with your Amateur Radio call sign. The price is \$25, including US shipping. Add \$10 for international orders. ARRL Letter, 11/19/2015

Thursday Night Net
@ 7:30 p.m.



Please join us on W6SBA 224.38 minus offset and the PLat 198.2 hz you can share your expe-

RF FILTERS, PART 10

In this, the last part of this series of short articles, I thought that I would briefly discuss audio filters. Audio is AC at a far lower frequency range than RF, typically from 20 Hz through 20,000 Hz. As in the last part of this series, I will be borrowing heavily from the 2010 edition of the ARRL Handbook. The principal audio filter types used in amateur radio include: the Passive LC, Digital Signal Processing (DSP), Switched Capacitor Audio Filter (SCAF), and active RC.

LC filters are not used much in current designs except in high-power audio applications such as in speaker crossover networks. DSP filtering can yield filters that are superior to analog filters. External DSP filters such as those from Timewave and MFJ have been available for some time. When coupled to a very high-performance A/D converter, DSP can provide excellent filtering for very low-level audio signals. The main drawback to DSP filtering has been cost but, in the last few years, this has been reduced substantially.

Simple SCAF filters can produce extremely effective low-power audio filters. The usual implementations of these tend to generate noise so they are usually not used in receiver front ends. Thus, they tend to be limited to filtering at the output end of the receiver audio chain. For simplicity, excellent frequency selectivity and relatively low cost, SCAF filters are highly recommended when additional audio filtering is desired on the output of an existing receiver. Several companies including Idiom Press offer SCAF filters.

Active RC filters based on op amp circuits can be used in either high-level audio output or very low-level direct-conversion receiver front-end filtering applications and thus are extremely flexible. Unlike LC filters, active RC filters can provide both filtering and gain at the same time, eliminating the relatively high insertion loss of a physically small, sharp LC filter. In addition, an active RC filter is not susceptible to the same AC hum pickup in low signal level applications as LC filters. Active filters can be designed for gain and they offer excellent stage-to-stage isolation. The circuits require only resistors and capacitors, avoiding the limitations associated with inductors. A particular advantage of active RC filters for use in receivers is that they can be capable of extremely low noise operation, allowing the filtering of extremely small signals. At the same time they are capable of handling extremely large signals. Figure 1 shows a simple RC filter circuit.

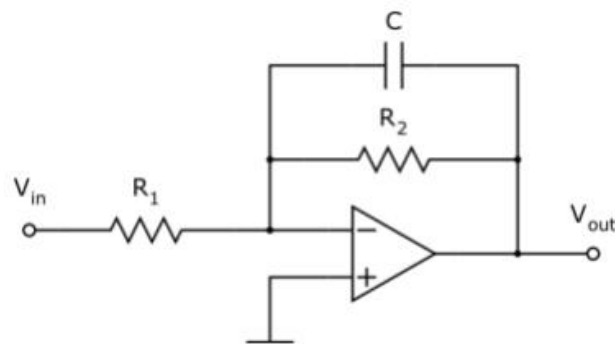


Figure 1: An Active RC Filter

The triangular element is an operational amplifier (op-amp). An Operational Amplifier is a voltage amplifying device whose operation is controlled by external components, in this case the RC circuit connected in parallel with the op amp. Any further discussion would require another series of articles. Note the small number of components in this circuit.

That's it for this series of articles. I've enjoyed writing them and I hope that you have enjoyed reading them as well as learning something new. Please send question or comments to Alan at thermic72@sbcglobal.net.

Amateur Radio Parity Act Passes Senate Committee, Gains Cosponsors

The Amateur Radio Parity Act S. 1685 took an essential step forward on November 18, when the US Senate Committee on Commerce, Science, and Transportation voted to report the bill favorably and without amendment. It was one of a half-dozen bills that were approved by the committee in a brief markup session. S. 1685 was approved on a voice vote, with two Senators -- Bill Nelson (D-FL) and Brian Schatz (D-HI) -- asked to be recorded as voting "no."



"Our work is not finished on the Senate side of Capitol Hill, although this is a huge step forward," said ARRL President Kay Craigie, N3KN. She urged ARRL members to continue to write, call and e-mail their Senators about S. 1685 to build up its support for the future, saying, "We know that members' response to the call for a communications blast last week made all the difference for some Senators on the committee." ARRL Letter, 11/19/2015



World Radiocommunication Conference

Approves
Global 60 Meter Allocation!
The Plenary Meeting of the 2015 World Radiocommunication Conference (WRC-15) in Geneva



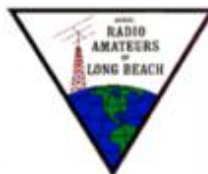
has approved an allocation of 5351.5-5366.5 kHz to the Amateur Service on a secondary basis, with a power limit of 15 W effective isotropic radiated power (EIRP). The November 18 decision on Agenda Item 1.4 was adopted on two back-to-back readings. Some Region 2 countries -- but not the US -- will be permitted up to 25 W EIRP. With this action, and despite conditions that are more restrictive than had been hoped at the start of the Conference, the Amateur Service has obtained its first new global HF allocation since 1979. While the Final Acts of the conference are expected to take effect on January 1, 2017, the new band will not become available to amateurs until their national telecommunications administration amends its rules and licensing conditions. Those administrations that already permit amateurs to operate in the 5 MHz range under certain conditions and on a not-to-interfere basis, including the FCC, will be considering whether, how, and when to modify those arrangements in light of the international allocation. ARRL Letter, 11/19/2015

*The Associated Radio Amateurs
of Long Beach*



presents

ARALB Ham University



Extra License Class

Begins Saturday, January 9, 2016

9:00 AM – 12:00 Noon

Runs weekly; exam on February 27

Class will meet at the
The Church of Jesus Christ of Latter-day Saints
3824 Woodruff Ave., Long Beach

- ☛ \$45 class fee includes class materials, book and testing fee.
- ☛ Last day to sign up is Monday, December 28.
- ☛ Class size is limited to 20 people.
- ☛ License exam will be on February 27.

Download a registration form at:
<http://www.aralb.org/aralbhamuniversity/index.htm>

For more information, contact:
Bill Bradley, WD6FON
by email at WD6FON@arll.org



Happy Hanukkah



News From

Joe

1. **Attendance drawing:** This was our last attendance drawing for the year and the winner for the Nov meeting was Jerry-KJ6JJ. Unfortunately Jerry was not with us and therefore missed out on the \$ 40.00 kitty. Sorry Jerry, we will start the new year 2016 with a kitty 45 dollars.. Remember you must be a member in good standing and be present to collect this. As a point of information, your number is good till the end of March 2016. Thank you for your participation. Joe-WB6MYD

2. **DIY or Do It Yourself.** This annual event was held at our Nov meeting and we had a few entrees this time. Paul-KK6BY brought in 3 different projects he has put together from Kit form and Alan-KG6ZPL presented 2 other projects from kit form as well. Paul-KK6BY was the winner for that category with his digital clock display. The home brew category brought 4 entrees from Bill-KQ6Z. This was interesting to see as well. It was a foot switch to key the transmitter, nicely done. Chuck-K6CSH brought his emergency communication set up for his VHF radio. It included a battery and solar panel to charge the battery and an inverter power supply. Nicely packaged and completely self contained if you will. Bill-AF7OO brought several projects he had been working on in support of the balloon project. A way to package the camera so it could travel safely as it would be coming down. The other was O rings also to support the camera which also great. Bruce-KK6BJ brought several other little goodies in one being an code oscillator being made from an Arduino project. RF probe for testing purposes. Transceiver and yes it was working, he had used the RF probe to fix things to trouble shoot. One other thing was very interesting which was the salt water antenna dummy load. This was housed in an nice little clear plastic container so we could see it. Very interesting indeed. The vote for the kit category was 10 Paul and 9 for Alan with Paul being the winner in that category. The home brew category was Chuck 11, Bill 4 and Bruce 4 with Chuck being the winner. So gentlemen congratulations on your winning in either category, we thank you for a job well done and sharing it with us all. Maybe next year we could have some more entrees or even other categories if you will.

3. **Elections:** Before the election was held the Secretary ensured that the floor was still open for any other nominations if so needed. No other nomination were made from the floor, Secretary closed the nomination by motion from Bruce 2nd by John and asked to accept the nominations by acclamation for the following: President, Alan-KG6ZPL, Vice President, Bruce- KK6BJ, Secretary/Treasurer, Joe-WB6MYD, Council, Chuck-K6SCH and Council, Paul-KK6BY. Alex-KD6LPA will continue as past President since it not being an elected position. Congratulations gentlemen, thank you Paul for stepping up to the plate and congratulations on your re election to those of us continuing as Council members of the South Bay ARC. It has been a busy year with 3 main events and I am sure we want to look forward to another year of continued success and activities.

4. **Holiday party:** Yes it is that time of year again and as you will remember this is an annual event for us as the South Bay ARC. It is not to just reinstall our new officers for 2016 (see note above on elections) but also to honor those having gone above and beyond the call of duty. We also honor those new members having joined our SBARC for the year 2015 and recognize most if not all members for their participation, support and efforts to make this another great year in the history of our club. It is as always a pleasure to name most of you for your continued support and cooperation in making the SBARC club in the South Bay. So let's mention some of the essentials for this holiday party: 1. every member is invited including your family members as well as your friends (with some reservations of course). So come and join us. 2. This is a pot luck event and so we ask you to bring something for at least 5-8 people to enjoy your recipe or specialty. This is divided into 3 groups and is based on the first letter of your last name. If your last name begins with an A-G, bring a salad. If your last name begins with H-P bring a desert. and Q-Z you are asked to bring a side dish. 3. The club provides the turkey, ham and drinks including cider. We would like to know as to how many are going to come so please let Alan, KG6ZPL or myself know the number in your party (our phone numbers are on the Arc Over). Thank you-WB6MYD



CALENDAR

Council Meeting - 1st week of the month (day varies)
Call Joe - WB6MYD (310) 328-0817

Club Meeting - 3rd Thursday of the month
December 17, 2015 - 7:00 p.m.
Torrance Memorial Med Center
West Tower, 2nd Floor, Room A

Club Nets - **W6SBA WEEKLY NET**
Every Thursday @7:30pm
(except the night of club meetings)
PVUSD EMERGENCY NET
1st Tuesday of the month
09:30 Hours on the W6SBA repeater

TRW Swap Meet Saturday,
December 26, 2015 , 7-11 a.m.

VE Session - Contact: Joe WB6MYD
Phone: (310) 328-0817
jmlanphen@gmail.com or w6sba@arrl.net

Social Event - Contact: Joe WB6MYD
Phone: (310) 328-0817
jmlanphen@gmail.com or w6sba@arrl.net

CLUB SERVICES

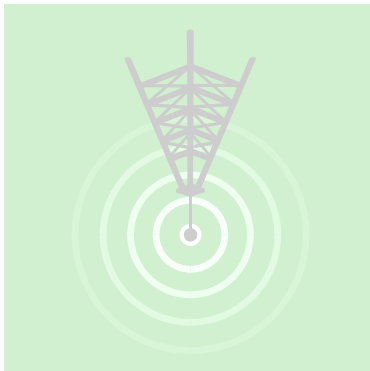
Awards Manager (HF/VHF)	Cliff - K6LH
Health & Welfare	Joe - WB6MYD
Swap Meet Chair	Joe - WB6MYD
VE Test Liaison	Joe - WB6MYD
VE Test Sessions	Joe - WB6MYD
Webmaster	Scott - N6LEM
Editor	Glenda - KF6QFE Glenda.simpson@hotmail.com
Proofreader	Alan - KG6ZPL

South Bay Amateur Radio Club Repeater
224.38 MHz · PL - 192.8 Hz Offset -1.6 MHz
(See Calendar for Weekly Net Times)

NEWSLETTER SUBMISSION

South Bay Amateur Radio Club
P.O. Box 536
Torrance, CA 90508
W6SBA@arrl.net
Website: <http://www.w6sba.org>

TO:



Address Correction Requested

A COMMUNITY SERVICE ORGANIZATION

W6SBA

South Bay Amateur Radio Club
Post Office Box 536
Torrance, CA 90508-0536

